

7.2.1.2. Small type

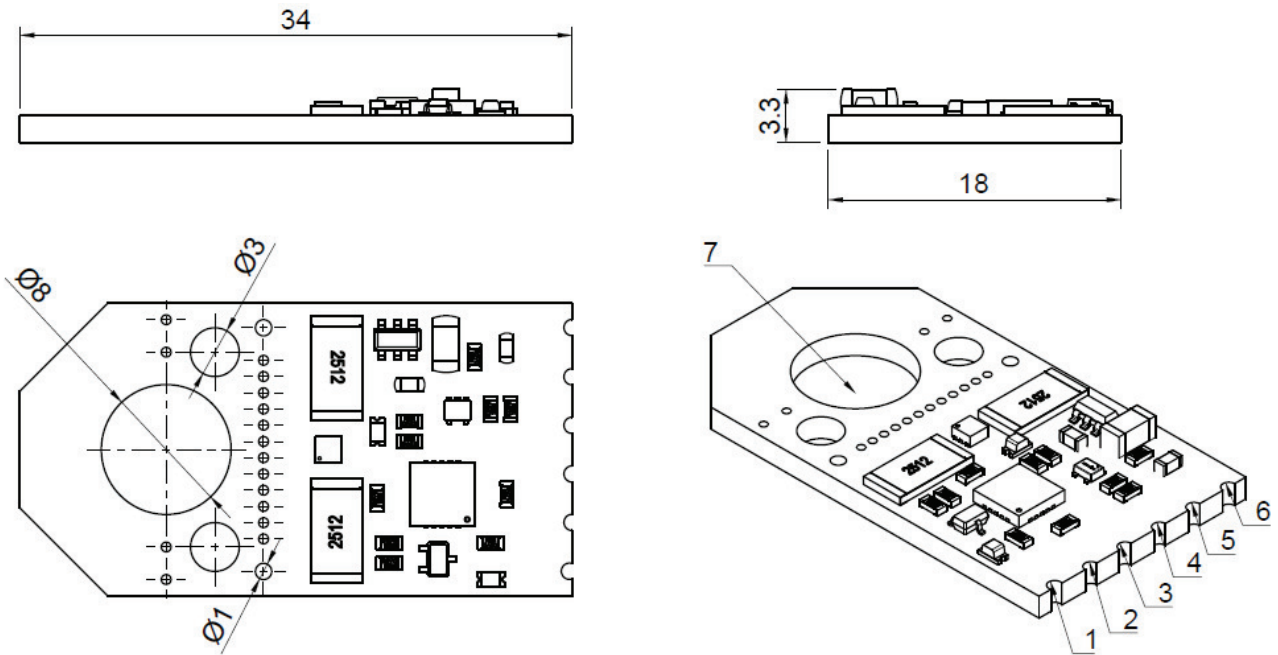


Figure 7.3 EMUS G1 Cell Module Small (CM021A-8mm) mechanical drawing. All dimensions in millimeters.

Table 7.5 EMUS G1 Cell Module Small terminal assignment

Terminal No.	Assignment	
	CM021-6mm*	CM021-8mm
1	DN	
2	Temperature sensor GND	
3	CELL+	
4		
5	Temperature sensor	
6	UP	
7	CELL-	

*Note: 6 mm (CM021-6mm) diameter of the CM021 can be order but minimum quantity is 1500 as it is not standard and we do not have them in stock.

7.2.1.3. GBS type

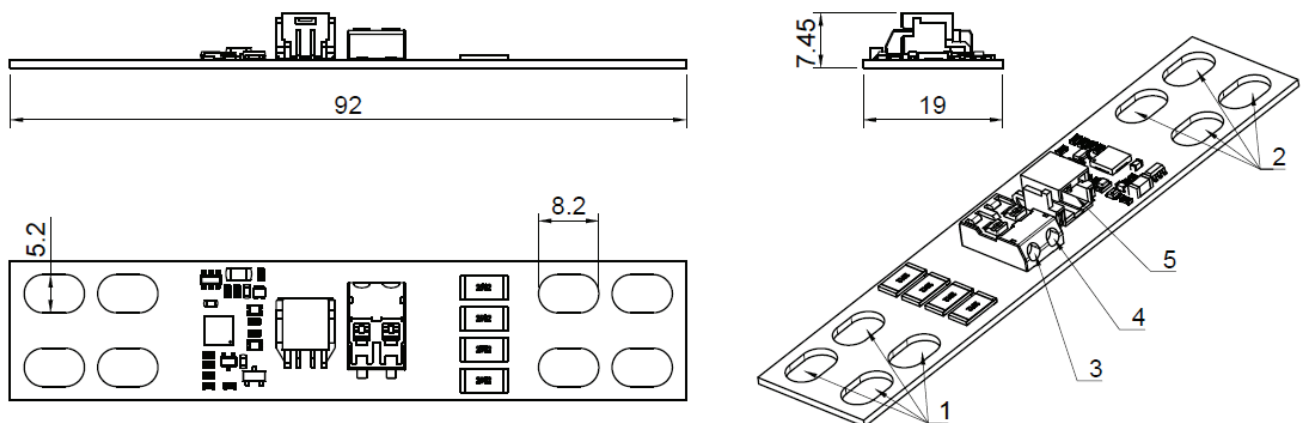


Figure 7.4 EMUS G1 Cell Module GBS (CM031B) mechanical drawing. All dimensions in millimeters