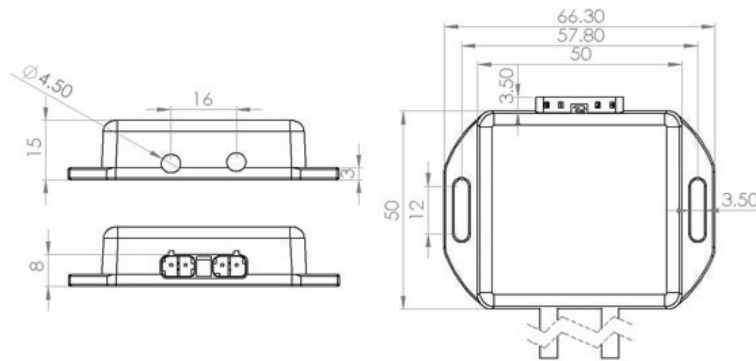


EMUS BMS CAN Cell Group Module



Dimensions



Product information

EMUS BMS CAN Cell Group Module

Part number

CGM020A

Description

Emus BMS Can Cell Group Modules are cell communication adapters for interfacing the main controller and separate parts of a battery pack, that enables Emus battery management system to serve large battery packs and systems of multiple cell strings connected in parallel.

Each Can Cell Group Module is equipped with a special isolated serial interface for connecting to a group of Emus Cell Modules, and a robust CAN v2.0 A/B interface for connection to the main controller.

Application

Large, high voltage, series connected battery packs.

High capacity battery systems of multiple cell strings connected in parallel.

Applications with high levels of electromagnetic noise.

Specifications

- Each CAN Cell Group Module supports up to 255 cells;
- Galvanic isolation 2kV (cell communication serial interface);
- Operating voltage: 9.6V÷36V;
- Operating temp.: -40°C ÷ +80°C;
- Dimensions: 66.3x50x15mm;
- Wire length:
 - Cell communication 0.5m;
 - CAN bus 1m (with connector);
- Mounting hole: M3.5