

EMUS BMS Bluetooth Module



Description

Emus BMS Bluetooth Module is an adapter that allows to wirelessly monitor various battery parameters in real time on any Android device using Emus EVGUI app, or any PC with a bluetooth interface, running Windows operating system.

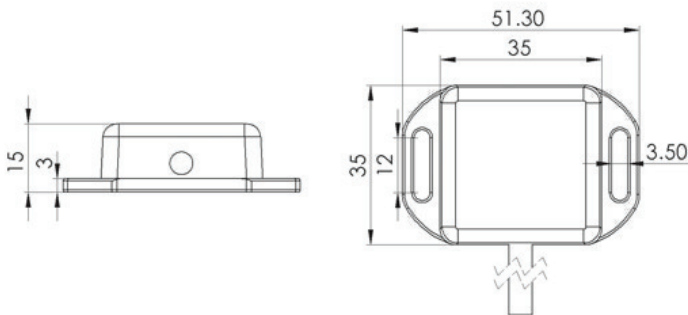
The Bluetooth Module connects to the main controller using RS232 interface.

Application

Electric vehicles, domestic storage systems, and similar consumer applications.

Applications where USB connection is not possible.

Dimensions



Specifications

- Class: 2;
- Range: 10m;
- Operating voltage:
 - 9.6V ÷ 16V for p/n BTM010B;
 - 9.6V ÷ 36V for p/n BTM020E;
- Operating temp.: -40°C ÷ +80°C;
- Dimensions: 35x35x15 mm;
- Wire length: 1.5m;
- Mounting holes: M3.5

Product information

EMUS BMS Bluetooth Module 12V
EMUS BMS Bluetooth Module 24V

Part number

BTM010B
BTM020A