



DC HIGH VOLTAGE EV CONTACTOR

EVC350



▶ FEATURES

●High-voltage, high-current control capable

With ceramic seal structure, the contact chamber filled with hydrogen mixed reducing gas, combined with magnetic blow-out. Voltage relay can cut off load voltage of 1000VDC.

●Compact Design & Low Operating Sound

By using a capsule contact mechanism that is enclosed with hydrogen gas, highcapacity cutoff is possible even with a tiny contact gap. There is little operating sound, which does not change even when large currents are cut off.

●Arc space unnecessary

The enclosure box is smaller thanks to an arc-space-free construction from which the arc will not get out.

●Safety

Arc will not get out with design of that contacts are enclosed in a sealed capsule.

●High contact reliability

The contact part is hermetically sealed with H2 mixed gas, hence the contact resistance remains stable regardless of the ambient conditions

▶ COIL SPECIFICATION

ITEM		MAX. STARTING CURRENT(A)	NOMINAL OPERATING CURRENT(A)	PULL-IN VOLTAGE(V)	DROP-OUT VOLTAGE(V)	MAX. REVERSE DIRECTION CUT-OFF	MAX. ALLOWABLE VOLTAGE(V)	POWER SAVE MODE
NOMINAL VOLTAGE(V)								
DC	9-36	3.8A	0.27A@12VDC 0.12A@24VDC	≤9VDC	≥6VDC	2V	36VDC	PWM

▶ CONTACT RATINGS

ITEM	MODEL	Unipolar Resistive Load (I/r≤1ms)	
		EVC350	
Maximum Continuous Current		350A	
Maximum Cut Off	V	1000V DC	
	A	3500A (300V DC)	
	W	1000KW	
Nominal Switching Capacity(Resistive Load)		450VDC	
Overload Opening/closing Rating		750VDC 500A 100 Ops	
Reverse Direction Cut-off		-400A 200VDC 1000 Ops	
Yung Resistance Load (Charge Capacitance)		500V 500A 10,000 Ops	
Yung Resistance Load (Charge Capacitance)		30mV Max	
Min. Applicable Load		1A 12VDC	
Min. Switching Capacity(Resistive Load)		400A 10min, 500A 2min. (≥ 120mm ²)	
Short Term Current		≤0.4mΩ (6V DC 20A)	
Contact Resistance		Alloy Cu	
Contact Arrangement		1A (SPST-NO.)	
General Auxiliary Contacts Current Range		2A 30VDC / 3A 125VAC	
General Auxiliary Contacts Minimum Current		100mA 8VDC	

DC HIGH VOLTAGE EV CONTACTOR

EVC350



▶ PART NUMBERING RULE

EVC 350 A - 1 A D 01

Product Series	Contact load	Auxiliary contacts	Contact Form	Coil voltage	Coil which leads to the way	Special Code
EVC=Round	350 : 350A	Null:NO auxiliary contacts A: With auxiliary contacts	*1"= 1a, Normally Open	A: 9~36VDC	"D"= Wire type, with no quick plug "E"= Wire type, with quick plug	01-99

▶ INSULATION PERFORMANCE

Insulation Resistance		Min. 100MΩ 500V DC
Dielectric Strength	Between Open Contacts	2500V AC 60 Sec. 10mA
	Between Contact And Coil	4000V AC 60 Sec. 10mA
Load Terminal	Electric Clearance	>6mm
	Creepage Distance	>10mm
Impulse Withstand Voltage		5000V AC
Operate Time(at 20 °C)		Max. 30ms
Release Time(at 20 °C)		Max. 10ms
Bounce Time(at 20 °C)		Max. 5ms

Remarks: 1, Ambient Temperature 20 ° C; 2, Coil Resistance Tolerance ± 10%

▶ MECHANICAL PARAMETERS

Life	Mechanical Life		2x10 ⁵ Ops
	Electrical Life (Resistive Load) (L/R≤1ms)	450V DC 350A	10,000 Ops
		750V DC 350A	3,000 Ops
Shock Resistance	Functional	Min 196% {20G} 11ms, (10μS)	
	Destructive	Min 490% {50G} 6ms	
Vibration Resistance	Functional	49 % {5G} 10 to 200Hz, (10μS)	
	Destructive	49 % {5G} 10 to 200Hz 4h	
Conditions For Operation, Transport And Storage	Ambient Temperature	-40°C to +85°C	
	Humidity	5 to 85% R.H.	
Weight			550g

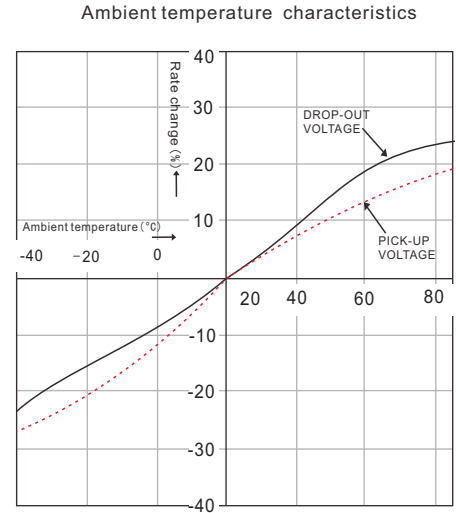
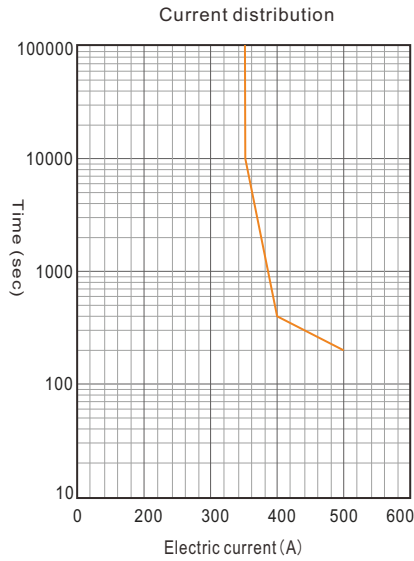
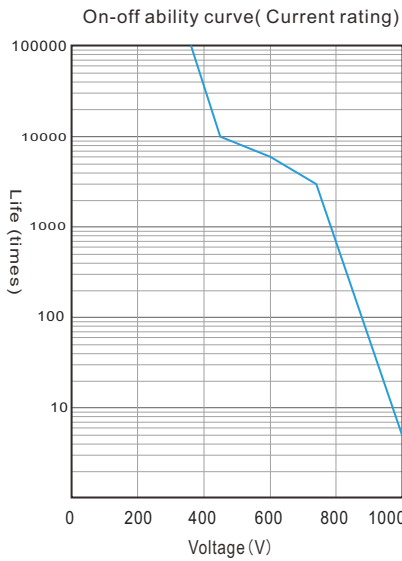
Above parameters is tested under 20 ° C working temperature. Customized order is open.

DC HIGH VOLTAGE EV CONTACTOR

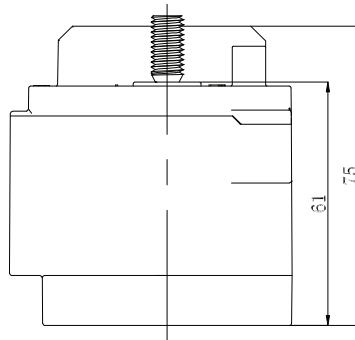
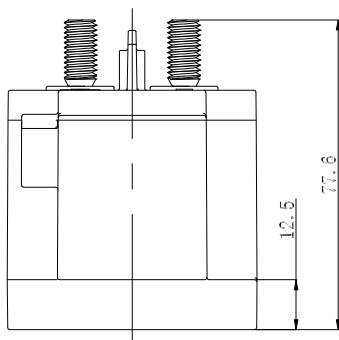
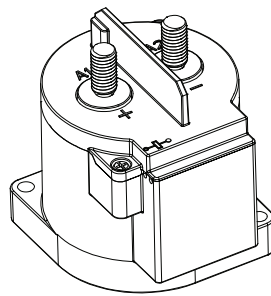
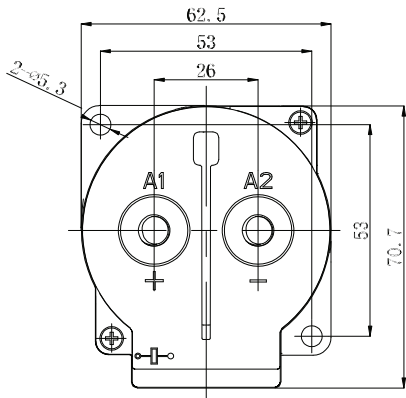
EVC350



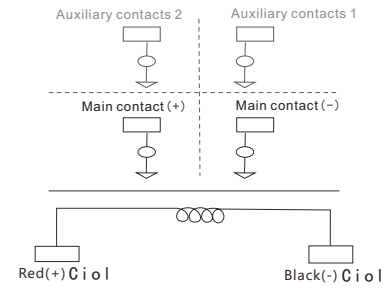
ENGINEERING DATA



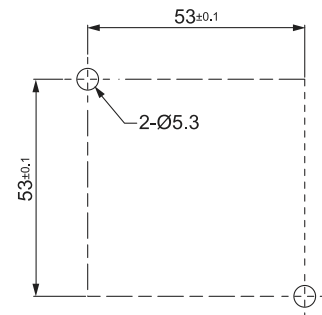
DIMENSIONAL DRAWING



SCHEMATIC



MOUNTING DIMENSIONS



Tolerance:
dim<10mm:±0.3;
dim=10~50mm:±0.6;
dim>50mm:±1.0

EV RELAY APPLICATION PRECAUTIONS:

EVC series high voltage DC relay with higher arc cooling capacity hydrogen medium, have the ability of DC high voltage cutting and adopt ceramic sealing explosion-proof structure. Contact part have waterproof, anti oxidation and other functions. It can be widely used in electric vehicles, hybrid vehicles, fuel cell vehicles, construction machinery, photovoltaic power generation, wind power generation, battery charging and discharging system, DC voltage power control and other DC high voltage fields.

Notes:

- 1.All types of relay terminals have polarity difference. Please use correctly according to the mark on each surface of the product. When the connection polarity is reversed, the electrical characteristics promised in the specification will not be guaranteed.
- 2.The rated value of contact parameters are the value of resistive load. Without measures, there may be a decline in electrical life and the occurrence of cut off. If using diodes, it may lead to a decline in cutting performance
- 3.During the action voltage test of double coil relay, voltage can not be risen slowly. Please drive the product coil through the fast rising (step type power supply mode) , otherwise the relay will not act.
- 4.Don't put the relay in the environment that over normal operating temperature (-40 degrees C to 85 C) for a long time.
- 5.Please avoid installing near in strong magnetic field (around transformer and magnet) and hot objects.
- 6.Make sure the main power line is closest to the relay leading-out terminal, then installed tightly according to the order of the flat washer, spring washer and nut. Incorrect connection order may cause serious overheating, and lead to the insulation layer melting of connecting cable .
- 7.Screw locking torque of every part should be accordant with following chart in case of breakage.

▶ Part I Leading-out terminal installation:

Nut	EVR20	EVR40	EVR100	EVR120	EVR150	EVR200	EVC50	EVC100	EVC150	EVC250	EVC350
M4		2Nm ~ 3Nm	3Nm ~ 4Nm	3Nm ~ 4Nm	3Nm ~ 4Nm	6Nm ~ 8Nm	2Nm ~ 3Nm	2Nm ~ 3Nm			
M5											
M6											
M8											

Remarks:EVC050,EVC100 Use screws;

▶ Part II Relay installation:

Screws	EVR20	EVR40	EVR100	EVR120	EVR150	EVR200	EVC50	EVC100	EVC150	EVC250	EVC350
M4							2Nm ~ 3Nm	2Nm ~ 3Nm			
M5	3Nm ~ 4Nm	3Nm ~ 4Nm	3Nm ~ 4Nm	3Nm ~ 4Nm	3Nm ~ 4Nm	3Nm ~ 4Nm			3Nm ~ 4Nm	3Nm ~ 4Nm	3Nm ~ 4Nm
M6	5Nm ~ 6Nm	5Nm ~ 6Nm	5Nm ~ 6Nm	5Nm ~ 6Nm	5Nm ~ 6Nm	5Nm ~ 6Nm			5Nm ~ 6Nm	5Nm ~ 6Nm	
M8											

Remarks: a. Screw strength must be in compliance with the requirements of grade 8.8 or above ; (GB/T70.1)
b. The effective locking thread length must be greater than 5mm;

8. Please avoid adhering grease and other foreign material on the leading-out terminal; Please use the following specifications of the connection wire, otherwise it may cause abnormal heat of the terminal part.

Product	EVR20	EVR40	EVR100	EVR120	EVR150	EVR200	EVC50	EVC100	EVC150	EVC250	EVC350
Nominal cross-sectional area (Min)	3mm ²	10mm ²	35mm ²	40mm ²	50mm ²	60mm ²	10mm ²	35mm ²	50mm ²	75mm ²	120mm ²

- 9.In the case of accidental fall of the relay, see intended not to use.

- 10.Attentions and product technical data should be updated termly, and copyright by Ebusbar all.